

C3C-B

305mm Griddle Gas Cooktop Bench Model



C3C-B

- Countertop Bench Model
- 305mm wide
- 1 griddle burner with pilot, flame failure and piezo ignition
- Machine finished griddle plate 12mm thickness
- Adjustable bench feet
- Stainless steel finish

Also Available



C3D-B

OVERALL CONSTRUCTION

- 12mm machined surface mild steel griddle plate
- Stainless steel front, sides and splashback
- Vitreous enamelled control panel
- Stainless steel spill tray
- 63mm dia. stainless steel adjustable bench feet

CONTROLS

- Large easy use control knob
- Variable high to low control to griddle burner
- Standard with pilot, flame failure and piezo ignition

CLEANING AND SERVICING

- Easy clean stainless steel exterior
- Stainless steel grease tray
- Access to all parts from front of unit

Matching Products



CW2H



CSP6



CN4



CT9



CW3H



CW1H



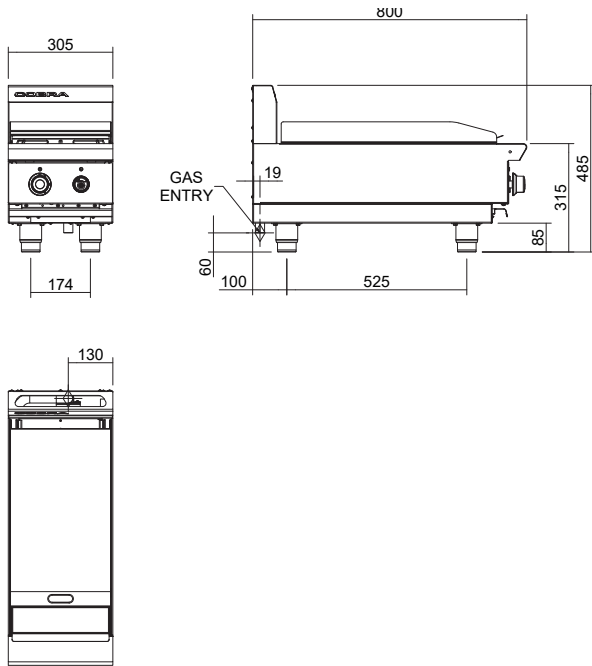
CP4



CS9 / C900-S

C3C-B

305mm Griddle Gas Cooktop Bench Model



C3C-B

SPECIFICATIONS

Burners

Gas power (gross)

20MJ/hr, 5kW

Gas connection

R 3/4 (BSP) male

130mm from RH side, 20mm from rear, and 60mm from bench

Dimensions

Width 305mm

Depth 800mm

Height 315mm

Incl. splashback 485mm

Nett weight

32kg

Packing data

0.20m³, 55kg

Width 345mm

Depth 860mm

Height 665mm

Gas types

Available in Natural gas and LP gas,

please specify when ordering

Other gas types on request